

# GTW385ASWWS

GE® 4.3 cu. ft. Capacity Washer with Stainless Steel Basket, Cold Plus and Water Level Control

## DIMENSIONS AND INSTALLATION INFORMATION (IN INCHES)

### CIRCUIT REQUIREMENTS:

branch circuit, with a three-prong grounding-type receptacle, protected by a 15- or 20-amp circuit breaker or a time-delay fuse, is required.

### ELECTRICAL RATING:

120V, 60Hz

### WASHER NOTE:

Washer wall outlet must be located within 36" of service cord entry. Wall outlet must not be located behind dryer.

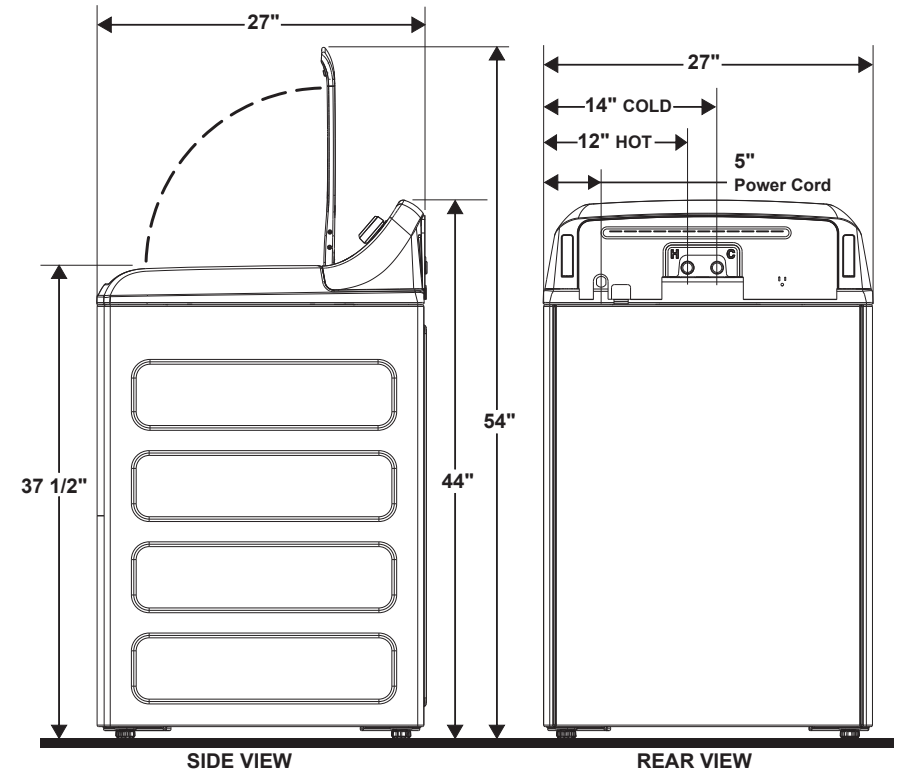
### INSTALLATION INFORMATION:

Before installing, consult installation instructions packed with your washer.

## ACCESSORIES\*

GE Part Number	Description
WH41X10207	2 pack 4' Rubber Washer Inlet Hoses
WX41X60	Single 6' Rubber Washer Inlet Hose
WX14X10005	2 pack 4' Stainless Polymer Coated Washer Inlet Hoses
PM14X10005	2 pack 4' Stainless Polymer Coated Washer Inlet Hoses-retail pkg
WX14X10011	2 pack 6' Stainless Polymer Coated Washer Inlet Hoses
WX17X10001CA	Anti-Vibration Pads ( 4 Pads)
PM7X2	Low-Profile Washer Floor Tray - White
WX10X312	Ceramabryte Washer Cleaner 16 Oz.

\*Accessories sold separately.



\*Order online at [GEApplianceparts.com](http://GEApplianceparts.com), 24 hours a day or by phone at 877.959.8688 during normal business hours.

For answers to your Monogram, Café™, GE Profile™ or GE Appliances product questions, visit our website at [geappliances.com](http://geappliances.com) or call GE Answer Center® Service, 800.626.2000.



Specification Revised 02/24

# GTW385ASWWS

## GE® 4.3 cu. ft. Capacity Washer with Stainless Steel Basket, Cold Plus and Water Level Control

### FEATURES AND BENEFITS

**Large 4.3 Cu.Ft. Capacity** - Power through laundry day in less time than ever before with a large capacity washing machine that can easily handle big loads and bulky items.

**Cold Plus** - Wash without compromise in cold water. When selected Cold Plus adjusts wash action to achieve a great clean on any wash cycle while saving up to 90% on energy costs\*

**Water Level Control** - Manually add up to 26 gallons of water to your washer, or let the washer optimize with auto-fill for great cleaning results no matter the cycle selected.

**True Dual-Action Agitator** - This durable, built-in, Dual Action Agitator provides better circulation and turnover of clothes to achieve a deep clean while being gentle on your clothes.

**Sanitize with Oxi** - Remove 99% of bacteria with a dedicated cycle that lets you sanitize with Oxi. The additive boosts your detergent's cleaning power so that you can keep your fabrics looking and feeling their best.

**Stainless Steel Drum** - Stainless steel basket ensures both your appliance and your clothes are protected from rust, chips, peeling or snags

**Late Lid Lock Safety** - Pre-treat stains, infuse detergents or add in forgotten clothes without being locked out with the convenient Late Lid Lock Safety. When the water level is manually selected, the lid only locks during the final spin for safety.

**Status Notification** - Effortlessly monitor your wash cycle using the notification display that lights to indicate fill, soak, wash, rinse, or spin status at a glance.

**Bleach and Fabric Dispensers** - Eliminate the need to add bleach and softeners mid-cycle with automatic bleach and softener dispensers in the washing machine.

**Made in America** - This American-Made washing machine contains 70 to 90% U.S. content.

**Deep Rinse** - Ensure that all your garments are free from detergent, fabric softener, stubborn soils and even pet hair in this deep rinse washing machine.

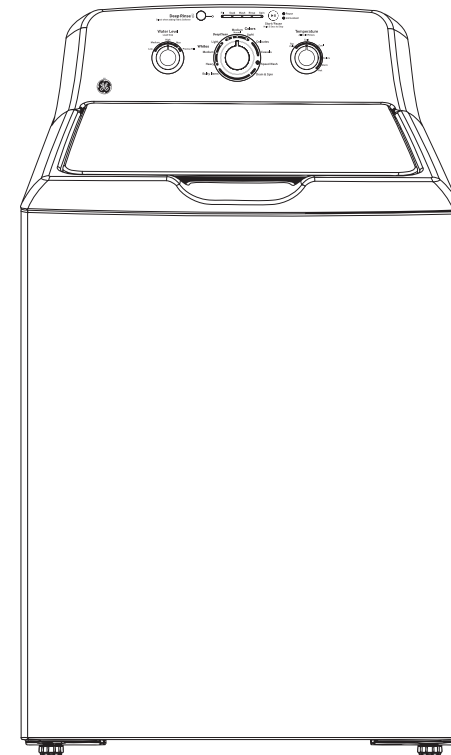
#### MATCHING DRYERS:

GTD38EASWWS - GE® 7.2 cu. ft. Capacity Electric Dryer with up to 120 ft. Venting and Reversible Door

GTD38GASWWS - GE® 7.2 cu. ft. Capacity Gas Dryer with up to 120 ft. Venting and Reversible Door

GTX38EASWWS - GE® 6.2 cu. ft. Capacity Electric Dryer with up to 120 ft. Venting and Shallow Depth

GTX38GASWWS - GE® 6.2 cu. ft. Capacity Gas Dryer with up to 120 ft. Venting and Shallow Depth



Model GTW385ASWWS - White



\* Energy savings using cold water vs. hot water for the normal cycle with a max load using the DOE test procedure to measure machine and hot water energy.



Listed by  
Underwriters  
Laboratories

Specification Revised 02/24